

# DH-HAC-HFW1500TM-I8-A

## 5MP IR HDCVI Fixed-focal Bullet Camera



\* The parameters and datasheets below can only be applied to 1500-S2 series.  
\* In order to use the 5MP 16:9 HDCVI camera, the firmware of XVR must be upgraded to V4.001.0000001.0.R.200908 or later version.

- Max 25fps@5MP (16:9 video output).
- CVI/CVBS/AHD/TVI switchable.
- Smart IR Illumination
- Super adapt.
- Built-in MIC.
- 3.6 mm fixed lens (2.8 mm, 6 mm, 8 mm optional).
- 80 m illumination distance.
- IP67, 12 VDC.



### Series Overview

The Lite Series is a great choice for consumers looking for high quality monitoring products at a reasonable price. Its low cost and high performance make it ideal for residential areas and SMB solutions. This series is equipped with a wide range of technologies, such as full-color and starlight, providing various solutions for different scenarios.

### Functions

#### Broadcast-quality Audio

Audio signal transmission over coaxial cables is supported by the HDCVI camera. It adopts a unique audio processing and transmission technology that restores source audio and eliminates noise, ensuring the quality and reliability of the audio information that is collected. This becomes important for video surveillance applications that use audio information as a type of supplementary evidence.

#### Super Adapt

With its intelligent algorithm, the camera automatically adjusts its parameters to provide optimal performance and vivid images.

#### Smart IR Illumination

With its IR illumination, the camera provides optimal performance in low light conditions, ensuring uniformity in the brightness of B/W images. Through its smart IR technology, the camera also compensates for the distance of targets by adjusting the intensity of its IR LEDs, preventing overexposure of images as targets move closer to the camera.

#### Protection (IP67, Wide Voltage)

**IP67:** The camera passed a series of rigorous dust and immersion tests. Its enclosure is both dust-proof and waterproof, and can function normally while being immersed in 1 m deep water for up to 30 minutes.  
**Wide voltage:** The camera has  $\pm 30\%$  input voltage tolerance (for some power supplies) and a wide voltage range, making it suitable for a variety of outdoor scenarios.

#### 4 Signals over 1 Coaxial Cable

HDCVI technology supports 4 signals (video, audio\*, data and power) which are simultaneously transmitted over a coaxial cable. Dual-way data transmission allows the HDCVI camera to interact with the XVR to perform various actions such as sending control signals and triggering alarms. HDCVI technology also supports PoC, which makes the camera easy and quick to install.

\* Audio input is available for select HDCVI camera models.

#### Long Distance Transmission

HDCVI technology provides long distance transmission in real time without transmission loss. It supports transmission distances up to 700 m for 2-MP/5-MP/8-MP HD videos through coaxial cables, and up to 300 m through UTP cables. The results were obtained and verified through rigorous testing in Dahua's test laboratory.

#### Simplicity

HDCVI technology inherits the simplicity of traditional analog surveillance systems, making it a great mechanism for protecting your valuables. HDCVI can be upgraded from the traditional analog system without replacing the existing coaxial cabling. Its plug and play design enables it to produce high-definition videos during surveillance without the hassle of configuring a network.

### Technical Specification

#### Camera

Image Sensor	5 MP CMOS
Max. Resolution	2880 (H) × 1620 (V)
Scanning System	Progressive
Electronic Shutter Speed	PAL: 1/25 s–1/100000 s NTSC: 1/30 s–1/100000 s
Min. Illumination	0.005 Lux/F1.6, 30IRE, 0 Lux IR on
S/N Ratio	>65 dB
Illumination Distance	80 m (262.47 ft)
Illuminator On/Off Control	Auto
Illuminator Number	2 (IR light)
Angle Adjustment	Pan: 0°–360° Tilt: 0°–90° Rotation: 0°–360°

#### Lens

Lens Type	Fixed-focal
Lens Mount	M12
Focal Length	2.8 mm; 3.6 mm; 6 mm; 8 mm
Max. Aperture	F1.6
Field of View	2.8 mm: H: 111°; V: 58°; D: 132° 3.6 mm: H: 92°; V: 48°; D: 109° 6.0 mm: H: 57°; V: 30°; D: 65° 8.0 mm: H: 43°; V: 24°; D: 48°
Iris Control	Fixed
Close Focus Distance	2.8 mm: 0.9 m (2.95 ft) 3.6 mm: 1.6 m (5.25 ft) 6 mm: 3.1 m (10.17 ft) 8 mm: 4.9 m (16.08 ft)

DORI Distance	Lens	Detect			
		Detect	Observe	Recognize	Identify
	2.8 mm	63.6 m (208.66 ft)	25.4 m (83.33 ft)	12.7 m (41.67 ft)	6.4 m (21.00 ft)
	3.6 mm	80.0 m (262.47 ft)	32.0 m (104.99 ft)	16.0 m (52.49 ft)	8.0 m (26.25 ft)
	6 mm	120.0 m (393.70 ft)	48.0 m (157.48 ft)	24.0 m (78.74 ft)	12.0 m (39.37 ft)
	8 mm	150.4 m (493.44 ft)	60.2 m (197.51 ft)	30.1 m (98.75 ft)	15.0 m (49.21 ft)

#### Video

Video Frame Rate	CVI: PAL: 5M@25 fps; 4M@25 fps; 1080p@25 fps; NTSC: 5M@25 fps; 4M@30 fps; 1080p@30 fps AHD: PAL: 4M@25 fps; NTSC: 4M@30 fps TVI: PAL: 4M@25 fps; NTSC: 4M@30 fps CVBS: PAL: 960H; NTSC: 960H
Resolution	5M (2880 × 1620); 4M (2560 × 1440); 1080p (1920 × 1080); 960H (960 × 576/960 × 480)
Day/Night	Auto(ICR)/Color/B/W

BLC	BLC; HLC; DWDR
WDR	DWDR
White Balance	Auto; Area white balance
Gain Control	Auto/Manual
Noise Reduction	2D NR
Illumination Mode	Smart IR
Mirror	Yes
Privacy Masking	Off/On (8 areas, rectangle)

#### Certification

Certifications	CE-LVD: EN 62368-1; CE-EMC: EN 55032; EN 55035
----------------	---

#### Port

Video Output	Video output choices of CVI/TVI/AHD/CVBS by one BNC port
Audio Input	One channel built-in Mic (-A)

#### Power

Power Supply	12 VDC ± 30%
Power Consumption	Max 5.2 W (12 VDC, IR on)

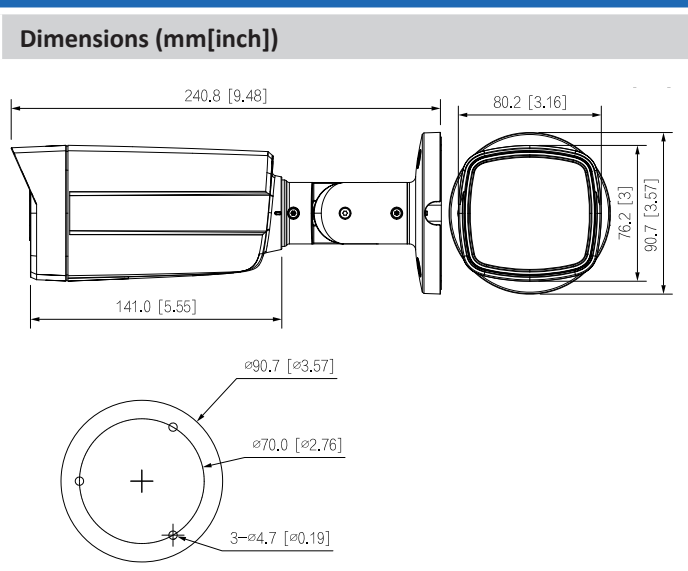
#### Environment

Operating Temperature	–40 °C to +60 °C (–40 °F to +140 °F)
Operating Humidity	<95% (RH), non-condensing
Storage Temperature	–40 °C to +60 °C (–40 °F to +140 °F)
Storage Humidity	<95% (RH), non-condensing
Protection	IP67
Anti-corrosion Level	Basic Protection

#### Structure

Casing Material	Metal
Product Dimensions	240.7 mm × 90.7 mm × 90.7 mm (9.48" × 3.57" × 3.57")
Net Weight	0.65 kg (1.43 lb)
Gross Weight	0.90 kg (1.98 lb)
Installation	Wall mount; ceiling mount; vertical pole mount

Ordering Information		
Type	Model	Description
5MP Camera	DH-HAC-HFW1500TMP-I8-A	5MP IR HDCVI Fixed-focal Bullet Camera, PAL
	DH-HAC-HFW1500TMN-I8-A	5MP IR HDCVI Fixed-focal Bullet Camera, NTSC
Accessories (Optional)	PFA130-E	Water-proof Junction Box
	PFM800-E	1 Channel Passive HDCVI Balun
	PFM904	Integrated Mount Tester
	PFM321D Series	12V 1A Power Adapter
	PFA152-E	Pole Mount Bracket



**Accessories**

Optional:

